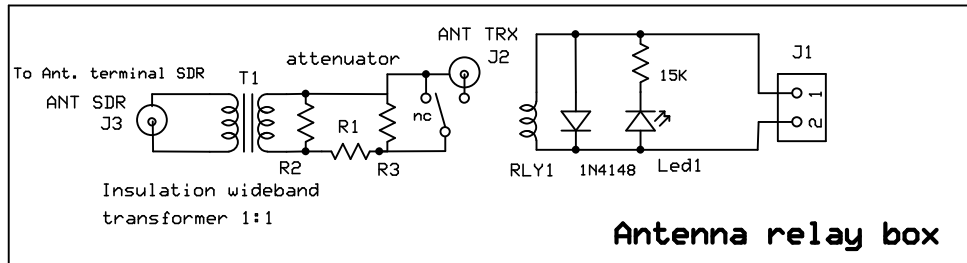


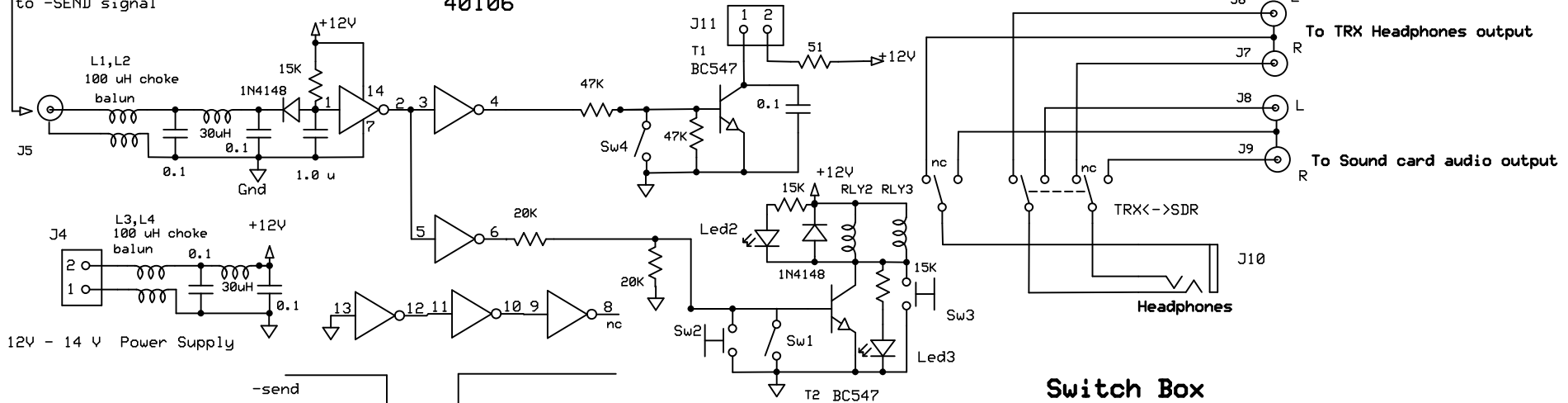
**Attenuator 3.2 dB 50 ohms**  
 R1= 20ohms, R2=R3=220 ohms  
**Attenuator for RF preamp**  
 R1= 150 ohms, R2=R3=disconnected  
 All resistors =0.125mW



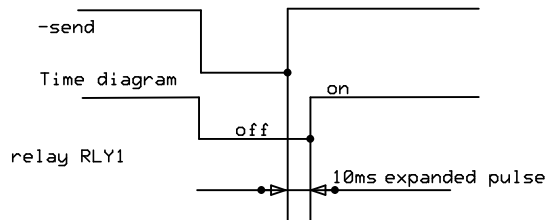
to -SEND signal

40106

To ant. relay J1



To 12V - 14 V Power Supply



Sw1 on= listen to TRX , off= listen to SDR  
 Sw2 on momentarily = listen to TRX  
 Sw3 on momentarily = listen to SDR  
 Sw4 on = SDR ant. grounded

**Switch Box**

Revision 7.1: Removed error in +12 V terminal @ T2

**SDR/Transceiver Switch**

LZ1AQ

Rev 7.1

Page 1 of 1

18.11.2010 .